

PRODUCT SPECIFICATIONS SHEET

Model: Go-Chair

Document Information: INFINF3481/Rev E/November 2022

Class of Use ⁷	A
Weight Capacity	300 lbs. (136 kg/21 stone 6 lbs.)
Maximum Speed ¹	Up to 3.8 mph (6 km/h)
Ground Clearance ²	1.75 in. (45 mm) at motor
Turning Radius ²	25.5 in. (648 mm)
Overall Size ^{2, 6}	Length: 33 in. (842 mm) with front riggings 28.5 in. (725 mm) without front riggings Width: 22.5 in. (575 mm)
Drive Wheels	9 in. (229 mm), solid
Caster Wheels	6 in. (152 mm), solid
Rear Anti-tip Wheels	3 in. (76 mm), solid
Suspension	Limited
Range ^{1, 4, 8}	18 Ah: Up to 8.6 miles (14 km) 18 Ah Extended Range: Up to 10.7 miles (17.3 km) at 300 lbs. (136 kg/21 stone 6 lbs.) Up to 13.2 miles (21.3 km) at 200 lbs. (91 kg/14 stone 4 lbs.) 22 Ah: Up to 12.6 miles (20.2 km)
Component Weights ^{5, 2}	Front Section: 31 lbs. (14 kg) Rear Section: 36.5 lbs. (16.5 kg) Seat: 30.5 lbs. (13.75 kg) Batteries: 30.75 lbs. (14 kg) (battery box)
Drivetrain	Two motor, rear-wheel drive
Brakes	"Intelligent Braking" electronic regenerative, disc park brake
Batteries ³	Two 18 Ah, 12 volt, sealed lead-acid, non-spillable deep-cycle Two 18 Ah Extended Range, 12 volt, sealed lead-acid, non-spillable deep-cycle Two 22 Ah, 12 volt, sealed lead-acid, non-spillable deep-cycle
Battery Charger	18 Ah: 2-amp, off-board 22 Ah: 3.5-amp, off-board
Freewheel Operational Force	Less than 60 N
Drive Control Operational Force	Less than 5 N
Maximum Rated Slope	6° (10.5%)
Maximum Obstacle Climbing Ability (Ascending/Descending)	1.25 in. (30 mm)
Measured Sound Level (A-weighted)	Less than 65 dB

¹ Varies with user weight, terrain type, battery amp-hour rating (Ah), battery charge, battery condition, tire type, and tire condition. This specification can be subject to a variance of +10%, -5%.

² Due to manufacturing tolerances and continual product improvement, this specification can be subject to a variance of (+ or -) 3%.

³ AGM, Gel-Cell, or Hybrid Gel (Hybrid Gel is defined as Nano Silica Gel Electrolyte with High Quality Glass Mat Separators) type required. See III. "Batteries and Charging."

⁴ Tested in accordance with ANSI/RESNA, WC Vol 2, Section 4 & ISO 7176-4 standards. Results derived from theoretical calculation based on battery specifications and drive system performance. Test conducted at maximum weight capacity.

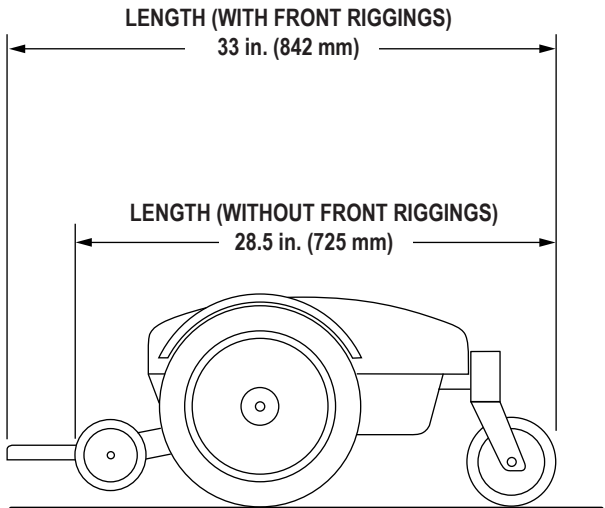
⁵ Battery weight may vary based on manufacturer.

⁶ Dimensions listed are for power base only. Overall measurements will vary based on seating and accessory selections.

⁷ Using 22 Ah batteries.

⁸ Unit configured with 18 Ah batteries does not comply with AS/NZS 3695.2 and EN12184 standards.

NOTE: This product conforms to all applicable ANSI/RESNA, ISO 7176 series, AS/NZS 3695.2, and EN12184 standards. All specifications subject to change without notice.



TURNING RADIUS

